

Operator Touch Panel PC OTP/57V eSOM2586 / x86

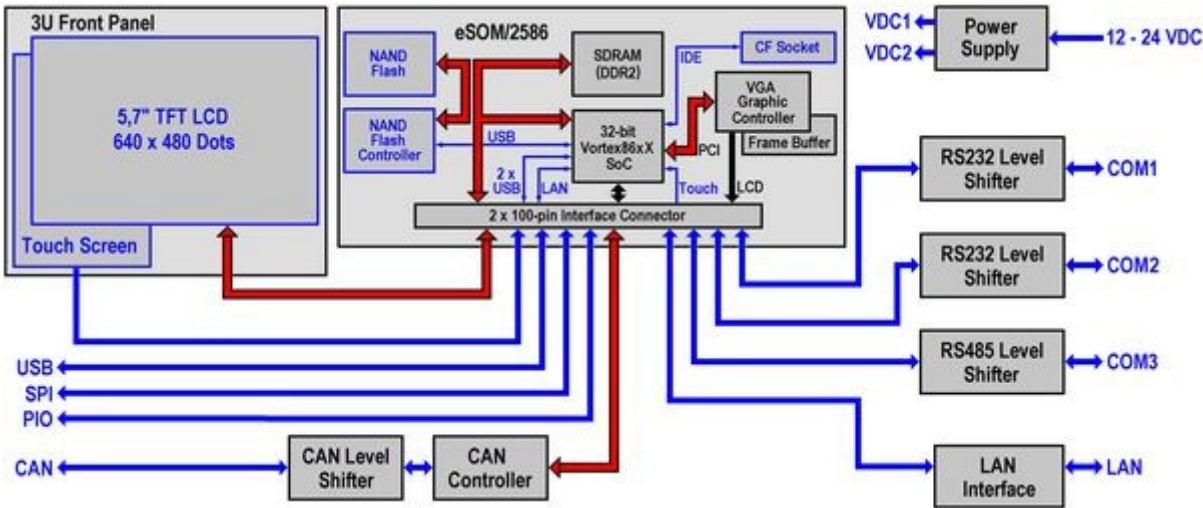
3U Operator Touch Panel Device with 5.7" VGA LCD, Touch Screen, Embedded PC and Java 6

Product Information



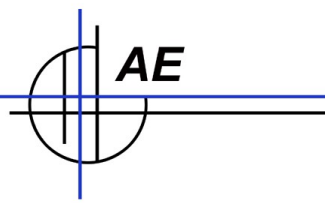
Description

The OTP/57V is a compact PC-based open frame operator touch panel device for 3U 19" racks with 5.7" VGA color LCD and an analog resistive touch sensor. The OTP/57V is based on the System-on-Module eSOM/2586 and comes with a powerful 800 MHz Vortex86DX 32-bit x86 SoC (System-on-Chip), preinstalled Linux O/S, supports full-featured TCP/IP stack, Web (HTTP/HTTPS) server, Telnet/SSH server, FTP/SFTP server, TFTP support, full-featured X-Server, Java 6 (J2SE) and Swing run time environment.



The OTP/57V offers a rich set of I/O interfaces including 1x 10/100 Mbps Ethernet LAN, 2x 480 Mbps USB 2.0 host, 2x RS232, 1x RS485, 1x CAN, 1x SPI, 7-bit GPIO, 2x LED outputs, Compact Flash expansion and more. Easily software programming for OTP/57V (Linux O/S, X-Server with VGA LCD and touch screen support, Java 6 with Swing widget toolkit and API) allows the development of sophisticated platform independent graphical user interfaces with a procedural (Java- and Swing-based) or declarative (HTML- or XML-based) approach.

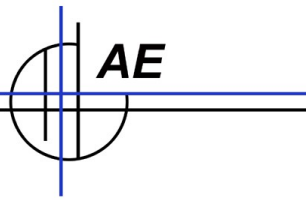
Bilder zeigen Beispiele. Änderungen vorbehalten.



Technical Data OTP/57V eSOM2586

System-on-Module	
CPU	Vortex86DX 32-bit x86 SoC
Speed	800 Mhz
BIOS	PC-compatible AMI Basic I/O System
RAM	128 MByte DDR2 SDRAM @ 300 MHz bus speed
Flash	1024 MByte NAND-type
LCD Interface	18-bit TTL interface, VGA-based for TFT/STN panels
LCD Video Memory	64 MByte video RAM with DDR2 interface
Touch Screen Interface	4-wire for resistive touch panels (UART-based)
RTC	1x Real Time Clock with external battery-backup
Watchdogs	1x timer watchdog, 1x power supervisor
Mechanical	eSOM-200 form factor (2x 100-pin Hirose FX8C connector)
I/O	
UART	2x RS232, 1x RS485 (16C550/16C552 compatible)
LAN	1x 10/100 Mbps Ethernet
CAN	1x SJA1000 with Full CAN and BasicCAN support
USB	2x USB host port for external USB devices with HS (480 Mbps), FS and LS support
LCD	5.7 VGA-size with 18-bit digital RGB interface and LED backlight
Touch	4-wire analog resistive touch sensor
Keyboard	External, via USB interface (Option)
GPIO	7-bit general purpose input output signals from eSom/2586 PIO PortB
SPI	1x SPI master interface with one chip select output signal
LED Output	2x LED output signals for external power and LAN activity LED

Bilder zeigen Beispiele. Änderungen vorbehalten.



Special Functions	
O/S	Linux 2.6.18 (Debian-based) with X-Server and Java 6 (J2SE) run time environment
GUI Support	Java Swing widget toolkit and API
Backlight Controller	Programmable LED backlight controller for LCD
SSD Expansion	1x CompactFlash (CF) socket with IDE-based interface
Server	HTTP(S), Telnet, SSH, (S)FTP for Ethernet-based access
Other	
Mechanical	Open frame architecture with four mounting points
Base Board	BB6/eSOM
3U Front Panel Size	162.2 mm x 128.8 mm
Power	12...24 VDC
Operating Temperature	0...60 °C (extended temperature range on request)
Storage Temperature	-20...70 °C
Delivery	
OTP57V eSOM2586	Embedded User Interface device with eSOM/2586, base board BB6/eSOM, 5.7" VGA LCD, touch screen, front panel for 3U19" rack mounting

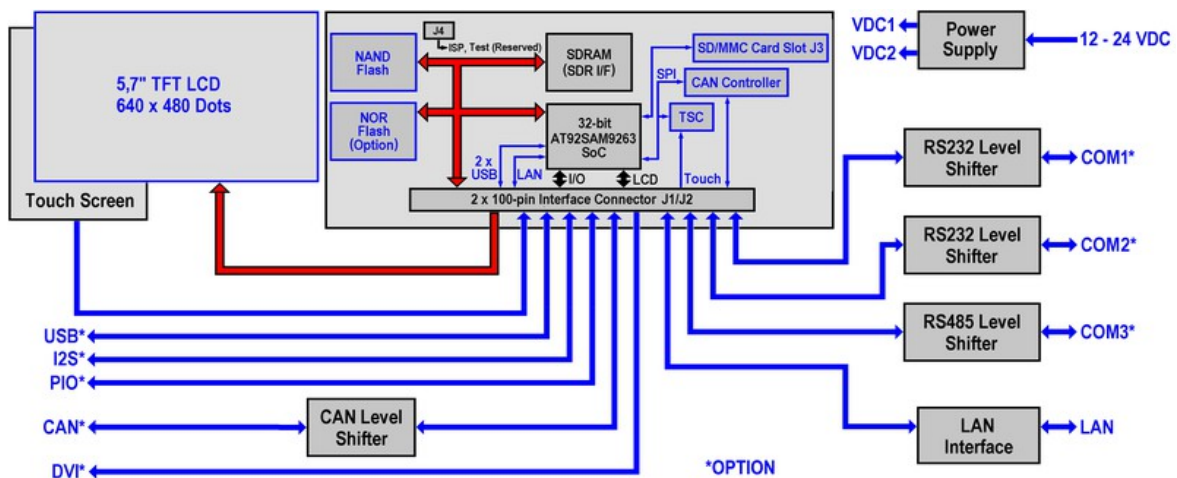
Bilder zeigen Beispiele. Änderungen vorbehalten.

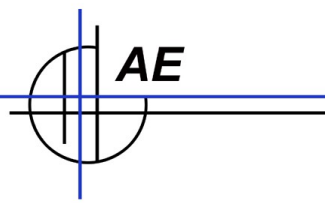
Operator Touch Panel PC OTP/57V eSOM9263 / ARM

3U Operator Touch Panel with ARM Core for Web Based Applications



The OTP/57V is a compact PC-based open frame operator touch panel device for 3U 19" racks with 5.7" (14cm) VGA color LCD and an analog resistive touch sensor. With LOW power ARM core inside it is especially designed for WEB based applications in modern human machine interface formats.





System-on-Module eSOM9263 (Pure WEB)



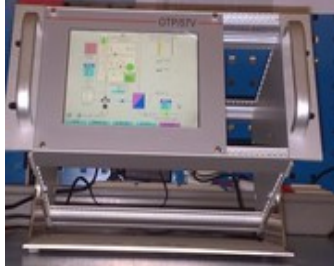
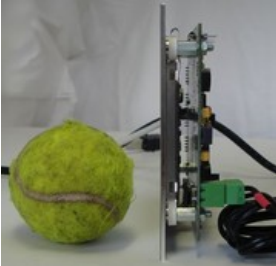


CPU	Atmel AT91SAM9263 32-bit ARM9 SoC
Speed	192 MHz
RAM	128 MByte SDRAM with SDR interface (96MHz)
Flash	256 MByte NAND-type
Flash Option	32 MByte NOR-type
Ethernet	1 x 10/100 Mbps Ethernet
LCD	5.7 VGA-size with 18-bit digital RGB interface and LED backlight
Touch	4-wire analog resistive touch sensor
O/S	Linux preinstalled
Server	HTTP(S), Telnet, SSH, (S)FTP für Ethernet Networking
Browser	Browser für embedded Web Browsing preinstalled

Other

Mechanical	Open frame architecture with four mounting points
Base Board	Für eSOM-200 form factor
3U Front Panel Size	162.2 mm x 128.8 mm
Power	12...24 VDC
Operating Temperature	0...60 °C (extended temperature range on request)
Storage Temperature	-20...70 °C

This product fullfills the criteria: GERMAN INDUSTRIAL QUALITY!

Bilder zeigen Beispiele. Änderungen vorbehalten.

 <p>More Power and more graphics</p>	 <p>Easy useable Touch Panel</p>	 <p>Perfect fitting in 19" standard (3HE)</p>
 <p>Extremely small and flat design</p>	 <p>Several interfaces in latest technology</p>	 <p>Modular concept with front panel plate</p>

Website for this product with further informations:

<http://www.terminal-systems.de/english/hardware-otp57v-en.htm>

Technical data in this document without warranty. Changes are possible. Pictures show samples.

Bilder zeigen Beispiele. Änderungen vorbehalten.